



GYRATORY SIEVES 30", 48" & 60" HIGH CAPACITY SEPARATORS

LARGER SCREEN DIAMETER SIEVING AT GREATER CAPACITIES

VS- Series

Model VS0048

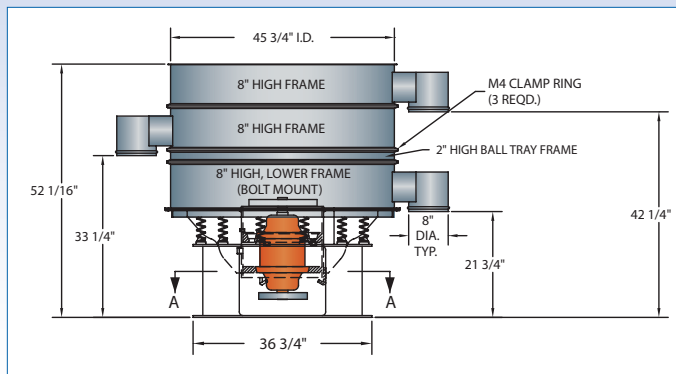


Models VS0030, VS0048 & VS0060

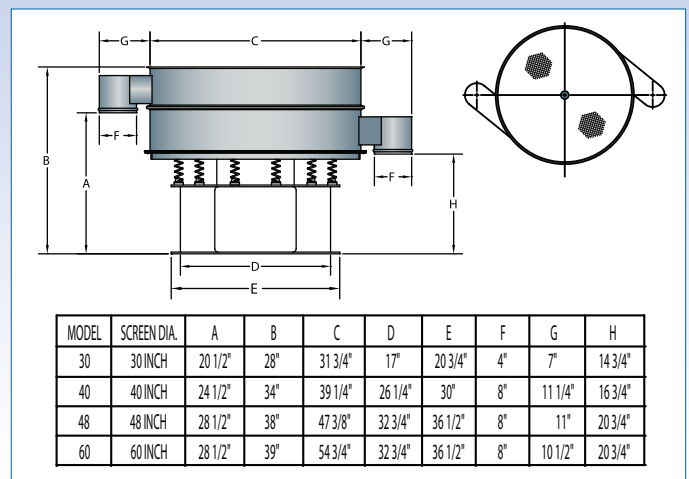
The 30", 48" and 60" screen diameter VORTI-SIVs® are three of the heaviest built gyratory sieves on the market. They are specially manufactured to be driven by a unique 1200 or 1750 RPM indirect or direct drive motor system, utilizing explosion proof, TEFC or NEMA 4X 3HP or 2¹/₂HP motors. Units are supplied with an adjustable eccentric weight system in single, double or multiple deck models. The stainless steel or nylon screen element is secured by a Vee-type clamp band.

Technical Data / options

- 304/316 stainless steel contact parts
- Screens: 20 micron to 1 mesh
- Spring mounts
- 3HP motor/Indirect
- 2¹/₂HP motor/Direct
- Non-blinding Ball kit
- Slider disks
- Rotary brush assembly
- Flexible connectors
- Pharmaceutical grade finishes
- Inlet covers
- Portable
- Up to 4 decks
- Ultrasonic deblinding system, Div I or Div II



MODEL VS0048 DOUBLE DECK



VS SERIES GENERAL DIMENSIONS

